

◀ Plug Seal Type RRS

Design

The RRS Plug Seal consists of an elastic, halogen-free, highly fire-resistant elastomeric rubber (HFE), with bolts and fittings made from galvanized steel, or alternatively from high-grade steel.

RRS plugs have been developed for the sealing of individual cables or pipes against fire, gas- and water pressure. By the already well-proven Quick-Fix technology "TCM" (Tolerance Cable Module) the RRS plug can be adjusted to the cable or pipe diameter in a quick and simple way. Usable as sealing element in core holes, sleeved pipes or casing plates.

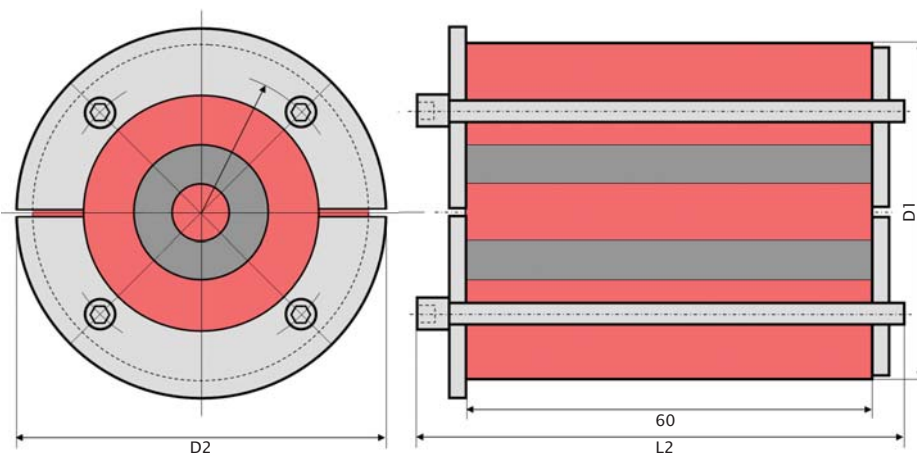
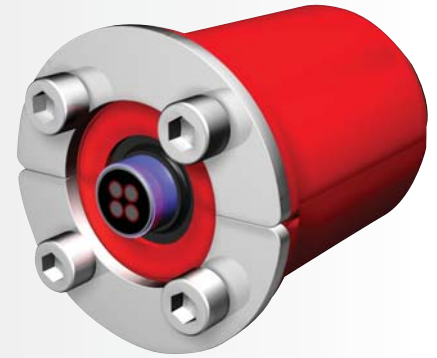


Table M3.RR.093, Installation dimensions in mm

Type	Cable / Pipe Diameter	D1	D2	Tolerance Bore/type	L2	No of Bolts	Bolts
RRS-43/0+5-23	0+5-23mm	43mm	53mm	43-45mm	75mm	4	M5x70
RRS-50/0+13-33	0+13-33mm	50mm	60mm	50-52mm	75mm	4	M5x70
RRS-50/0+5-33	0+5-33mm	50mm	60mm	50-52mm	75mm	4	M5x70
RRS-70/0+23-51	0+23-51mm	70mm	80mm	70-72mm	75mm	4	M5x70
RRS-70/0+13-51	0+13-51mm	70mm	80mm	70-72mm	75mm	4	M5x70
RRS-70/0+5-51	0+5-51mm	70mm	80mm	70-72mm	75mm	4	M5x70
RRS-100/34-78	34-78mm	100mm	110mm	100-103mm	76mm	6	M6x70
RRS-100/0+34-78	0+34-78mm	100mm	110mm	100-103mm	76mm	6	M6x70
RRS-100/0+23-78	0+23-78mm	100mm	110mm	100-103mm	76mm	6	M6x70

Table M3.RR.092

Pipe Sleeves with / without flange or available Casing Plates		
Type	Sleeve	Casing Plate
RRS-43	SL/SLF 50x3,5	-
RRS-50	SL/SLF 57x3,2	RRFL(O)-50
RRS-70	SL/SLF 76,1x2,9	RRFL(O)-70
RRS-100	SL/SLF 108x2,9	RRFL(O)-100

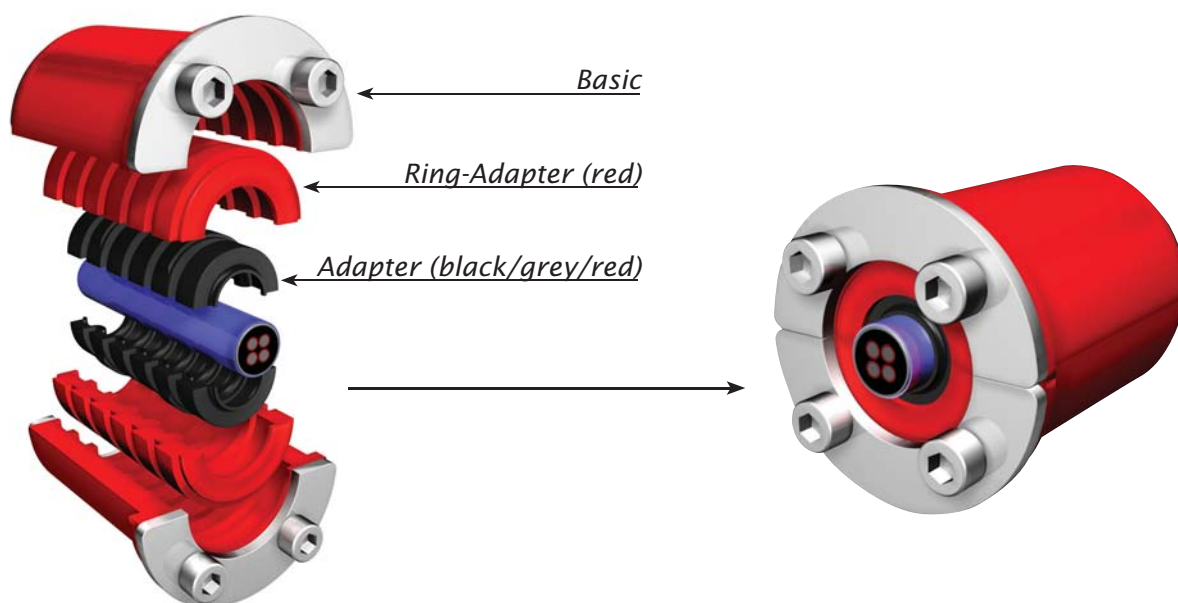
Sleeve Type SL



Sleeve Type SLF

◀ Plug Seal Type RRS

The RRS system works on the principle of the well-proven Quick-Fix TCM technology (Tolerance Cable Module). Each RRS plug will be delivered as a set, consisting of basic, adapter, ring-adapter and core, in order to seal cables and pipes within the largest possible tolerance range without any additional spares. All system parts are re-usable at any time. The different colours of the respective parts enable a simple check of the correct assembly. With the RRS plug seal individual cables and pipes can be sealed against fire, gas- and water-pressure in a simple and quick way.



◀ Assembly Instruction



Determine the correct system part (basic, adapter or ring-adapter) by use of the TCM ruler.



If necessary, put the determined system parts together.



Clean inner surface of bores, grease inner side of pipes with bst Lubricant.



Grease also the RRS plug seal liberally on all sides ...



... and push it around the cable (or pipe) into the opening (if necessary, use a plastic hammer).



Tighten pressure bolts crosswise - done!